

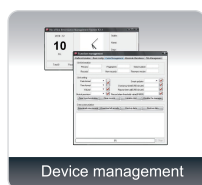
⊕ Feature

- Unique desktop design for offices
- Texas Instruments 32-bit high speed CPU of low power consumption
- BioNANO core algorithm of high speed and stability
- New generation fully sealed, waterproof and dustproof AFOS Optical fingerprint sensor
- Clear voice prompts along with all operations
- Mini USB Slave, No driver needed
- Power over either USB or DC 5V
- Employee authentication methods: ID + password, ID + fingerprint, fingerprint only
- Fast fingerprint scan in less than 0.5 second
- 8 different customizable time and attendance status
- 6-digit work code feature to calculate different job cost
- Support multiple display and software language

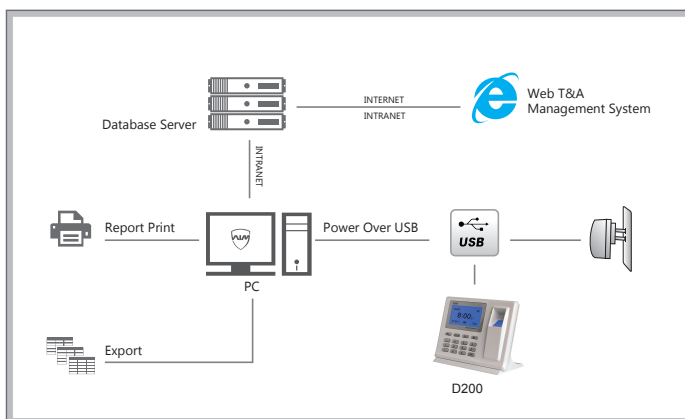
⊕ Parameter

Item	Description
Processor	32-bit ARM MCU
Algorithm	BioNANO
Sensor	AFOS Optical Sensor
Scan Area	22mm*18mm
Resolution	500DPI
LCD	128*64 Blue LCD
Fingerprint Capacity	2000
Log Capacity	50000
Identification Mode	FP, ID+FP, ID+PW, FP+PW
Identification Time	<0.5 Sec
FRR	0.001%
FAR	0.00001%
Communication Interface	Mini USB slave
Fingerprint Image Display	Yes
Self-defined Status	16
Workcode	Yes
Size	160(w)*130(h)*90(d)mm
Temperature	-10 C ~40 C
Operating Voltage	DC 5V
Certificates	FCC, CE, ROHS
Applicable Situation	Up to 1000 Employees

⊕ AIM Lite software



⊕ Topology



AIM Anviz Intelligent Management Lite

AIM Lite is a simple version Time and Attendance software. With the most simple and intuitive user interface to achieve the daily work behavior, including the personnel management, time setting, and simple report output etc. Functions. The first choice for basic users. Especially those of shortage of the basic office staff time, could use directly without training.

ANVIZ® and **BioNANO®** are registered trademarks of Anviz Global and cannot be used without the permission of Anviz. Due to the consistent improving of the product, this specification and appearance is subject to change without notice.