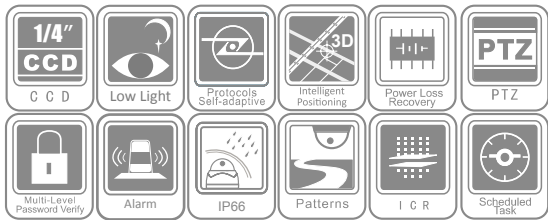


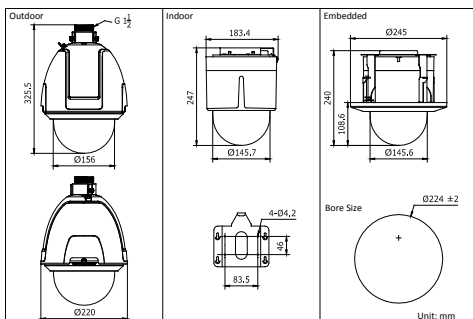
DS-2AF1-512/514/516/518 Analog High Speed Dome



Key features

- 1/4" Sony Super HAD CCD
- Low illumination
- True day / night
- 3D intelligent positioning function
- Powerful PTZ control
- Programmable alarm triggering
- IP66 rating

Dimensions



Accessories



DS-1614ZJ
(Long-arm Wall Mount Bracket)

Specifications

	DS-2AF1-512 (outdoor) DS-2AF1-502 (indoor) DS-2AF1-532 (in-ceiling)	DS-2AF1-514 (outdoor) DS-2AF1-504 (indoor) DS-2AF1-534 (in-ceiling)	DS-2AF1-516 (outdoor) DS-2AF1-506 (indoor) DS-2AF1-536 (in-ceiling)	DS-2AF1-518 (outdoor) DS-2AF1-508 (indoor) DS-2AF1-538 (in-ceiling)
Camera				
Image sensor	1/4" Sony Super HAD CCD			
Effective pixel	PAL: 752 (H) × 582 (V), NTSC: 768 (H) × 494 (V)			
Horizontal resolution	540 TVL	Color: 540 TVL, B/W: 570 TVL		
Signal system	PAL / NTSC			
Min. illumination	0.1Lux/F1.6	Color: 0.2 lux@F1.6 B/W: 0.02 lux@F1.6	Color: 0.2 lux@F1.4 B/W: 0.02 lux@F1.4	Color: 0.2 lux@F1.6 B/W: 0.02 lux@F1.6
White balance	Auto / manual / ATW / indoor / outdoor			
AGC	Auto / manual			
S/N ratio	≥ 50dB			
BLC	On / off			
Shutter time	PAL: 1/50 ~ 1/10,000s NTSC: 1/60 ~ 1/10,000s	PAL: 1/50 ~ 1/10,000s NTSC: 1/60 ~ 1/10,000s	PAL: 1 ~ 1/10,000s NTSC: 1 ~ 1/10,000s	PAL: 1 ~ 1/10,000s NTSC: 1 ~ 1/10,000s
Day & night	Electronic	IR cut filter		
Digital zoom	16x			
Focus model	Auto / semi-automatic / manual			
Lens				
Focal length	3.9 ~ 85.8mm, 22X	3.84 ~ 88.4mm, 23x	3.5 ~ 105mm, 30x	3.4 ~ 122.4mm, 36x
Zoom speed	Approx. 4.3s (Optical Wide-Tele)	Approx. 5.1s (optical Wide-Tele)	Approx. 5.4s (optical Wide-Tele)	Approx. 5.4s (optical Wide-Tele)
Angle of view	58.0 ~ 2.22° (Wide-Tele)	52.2 ~ 2.36° (Wide-Tele)	56.4 ~ 2.0° (Wide-Tele)	57.8 ~ 1.7° (Wide-Tele)
Min. working distance	10 ~ 1,000mm (Wide-Tele)	10 ~ 1,200mm (Wide-Tele)	10 ~ 1,000mm (Wide-Tele)	10 ~ 1,000mm (Wide-Tele)
Aperture range	F1.6 ~ F3.7	F1.6 ~ F4.5	F1.4 ~ F3.7	F1.6 ~ F4.5
Pan and tilt				
Pan range	360° endless			
Pan speed	Pan manual speed: 0.1° ~ 300°/s, pan preset speed: 540°/s			
Tilt range	-5° ~ 90° (auto flip)	-5° ~ 90° (auto flip)	-5° ~ 185° (auto mirror)	-5° ~ 185° (auto mirror)
Tilt speed	Tilt manual speed: 0.1° ~ 240°/s, tilt preset speed: 400°/s			
Proportional zoom	Rotation speed can be adjusted automatically according to zoom multiples			
Number of preset	256			
Patrol	8 patrols, up to 32 presets per patrol			
Pattern	4 patterns, with the total recording time not less than 10 min			
Power loss recovery	Support			
Park action	Preset / patrol / pattern / pan scan / tilt scan / random scan / frame scan / panorama scan			
PTZ position display	On / off			
Freeze frame	—	—	Support	Support
Password protection	Support			
Zone scanning / display	Scanning within programmed zone, display zone title			
Camera title	Programmable title display			
Compass	Support, the north can be set			
Scheduled task	Preset / patrol / pattern / pan scan / tilt scan / random scan / frame scan / panorama scan			
RS-485 communication diagnosis	Including failure information, e.g., wrong address, baud rate errors, et., displayed on the video screen in text			
Manchester code communication diagnosis	Including failure information, e.g., wrong address, baud rate errors s displayed on the video screen in special characters			
Alarm				
Alarm input	2 (7 alarm inputs optional)			
Alarm output	2 relay outputs, alarm response actions configurable (additional wires required)			
Alarm action	Preset / patrol / pattern / pan scan / tilt scan / random scan / frame scan / panorama scan / relay output			
Input / output				
Monitor output	1.0V[p-p] / 75Ω, NTSC (or PAL) composite, BNC			
Fiber interface (available for fiber dome only)				
Data mode	1-channel analog video and 1-channel reverse RS-485 data			
Physical interface	FC (SC optional)			
Fiber wavelength	TX1310 / RX1550nm			
Fiber type	Single fiber / single mode			
Transmission distance	20km, 40km / 60km / 80km optional			
General				
Menu language	English, Chinese			
RS-485 protocols	HIKVISION, Pelco-P, Pelco-D, self-adaptive			
Power supply	24 VAC (12 VDC optional)			
Power consumption	Outdoor dome: Max. 45 W ; Indoor/In-ceiling dome: Max. 20 W			
Working temperature / humidity	-30°C ~ 65°C (-22°F ~ 149°F) (outdoor) / -10°C ~ 50°C (14°F ~ 122°F) (indoor), 90% or less			
Protection level	IP66 standard (outdoor), TVS 3,000V lightning protection, surge protection and voltage transient protection			
Mounting	Various mounting modes optional			
Dimensions	Φ 220 × 325.5mm (Φ 8.66" × 12.81") (outdoor), Φ 183.4 × 247mm (Φ 7.22" × 9.72") (indoor) Φ 245 × 240mm (Φ 9.65" × 9.45") (in-ceiling)			
Weight (approx.)	5kg (11.02lbs)			