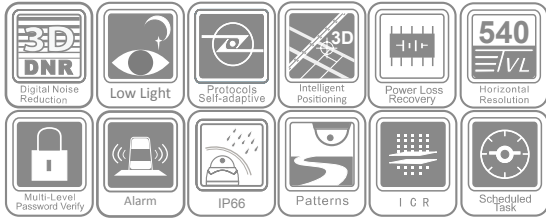


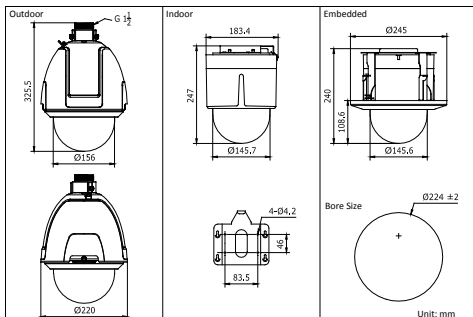
DS-2AF1-51C/51D Analog High Speed Dome



Key features

- Super low illumination
- 540 TVL high resolution
- True day / night
- 3D intelligent positioning function
- 3D digital noise reduction
- IP66 rating

Dimensions



Accessories



DS-1614ZJ
(Long-arm Wall Mount Bracket)

Specifications

	DS-2AF1-51C(Outdoor) DS-2AF1-50C(Indoor) DS-2AF1-53C(In-ceiling)	DS-2AF1-51D(Outdoor) DS-2AF1-50D(Indoor) DS-2AF1-53D(In-ceiling)
Camera		
Image sensor	1/4 inch solid state progressive scan CCD	1/3 inch solid state sony CCD
Effective pixel	PAL:752(H)×582(V); NTSC:768(H)×494(V)	
Horizontal resolution	Color: 540 TVL; B/W: 570 TVL	
Signal system	PAL / NTSC	
Min.illumination	Color: 0.1Lux/F1.4; B/W: 0.01Lux/F1.4	Color: 0.025Lux/F1.6; B/W: 0.0025Lux/F1.6
White balance	Auto / Manual	
AGC	Auto / Manual	
S/N ratio	≥ 50dB	
DNR	High / Medium / Low / off	
BLC	On / Off	
WDR	128x(On / Off/Auto)	--
Anti-shake	On / Off	
Shutter time	PAL: 1/3-1/10,000s, NTSC: 1/4-1/10,000s	
Day & night	IR Cut Filter	
Digital zoom	12x	
Privacy mask	4 privacy masks programmable; a maximum of 4 zones can be masked simultaneously on the same video screen	
Focus model	Auto / Semiautomatic / Manual	
Lens		
Focal length	3.4 - 119mm, 35X	4.7 - 84.6mm,18X
Zoom speed	Approx.4.6s (Optical Wide-Tele)	Approx.3.5s (Optical Wide-Tele)
Angle of view	55.8 - 1.7°(Wide-Tele)	54.7 - 3.1°(Wide-Tele)
Min. working distance	10 - 1000mm (Wide-Tele)	10 - 1,500mm(Wide-Tele)
Aperture range	F1.4 - F4.2	F1.6 - F2.8
Pan and tilt		
Pan range	360° endless	
Pan speed	Pan manual speed: 0.1° - 300°/s, pan preset speed: 540°/s	
Tilt range	-5° - 185° (auto mirror)	
Tilt speed	Tilt manual speed: 0.1° - 240°/s, tilt preset speed: 400°/s	
Proportional zoom	Rotation speed can be adjusted automatically according to zoom multiples	
Number of preset	256	
Patrol	8 patrols, up to 32 presets per patrol	
Pattern	4 patterns, with the total recording time not less than 10 min	
Power loss recovery	Support	
Park action	Preset / patrol / pattern / pan scan / tilt scan / random scan / frame scan / panorama scan	
PTZ position display	On / off	
Freeze frame	Support	
Password protection	Support	
Zone scanning / display	Scanning within programmed zone, display zone title	
Camera title	Programmable title display	
Compass	Support , the north can be set	
Scheduled task	Preset / patrol / pattern / pan scan / tilt scan / random scan / frame scan / panorama scan	
RS-485 communication diagnosis	Including failure information, e.g., wrong address, baud rate errors, et., displayed on the video screen in text	
Manchester code communication diagnosis	Including failure information, e.g., wrong address, baud rate errors s displayed on the video screen in special characters	
Alarm		
Alarm input	2 (7 alarm inputs optional)	
Alarm output	2 relay outputs, alarm response actions configurable	
Alarm action	Preset / patrol / pattern / pan scan / tilt scan / random scan / frame scan / panorama scan / relay output	
Input / output		
Monitor output	1.0V[p-p] / 75Ω, NTSC (or PAL) composite, BNC	
Fiber interface (available for fiber dome only)		
Data mode	1-channel analog video and 1-channel reverse RS-485 data	
Physical interface	FC (SC optional)	
Fiber wavelength	TX1310 / RX1550nm	
Fiber type	Single fiber / single mode	
Transmission distance	20km, 40km / 60km / 80km optional	
General		
Menu language	English, Chinese	
RS-485 protocols	HIKVISION, Pelco-P, Pelco-D, self-adaptive	
Power supply	24 VAC (12 VDC optional)	
Power consumption	Outdoor dome: Max.45 W ; Indoor/In-ceiling dome: Max.15 W	
Working temperature/humidity	-30°C - 65°C (-22°F ~ 149°F) (outdoor) / -10°C ~ 50°C (14°F ~ 122°F) (indoor), 90% or less	
Protection level	IP66 standard (outdoor), TVS 3,000V lightning protection, surge protection and voltage transient protection	
Mounting	Various mounting modes optional	
Dimensions	Φ 220 × 325.5mm (Φ 8.66" × 12.81") (outdoor), Φ 183.4 × 247mm (Φ 7.22" × 9.72") (indoor) Φ 245 × 240mm (Φ 9.65" × 9.45") (in-ceiling)	
Weight (approx.)	5kg (11.02lbs)	