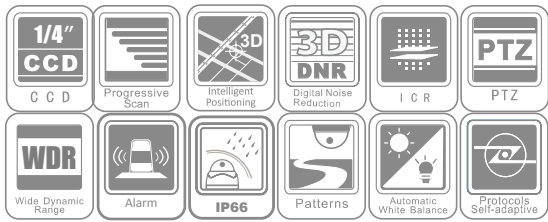


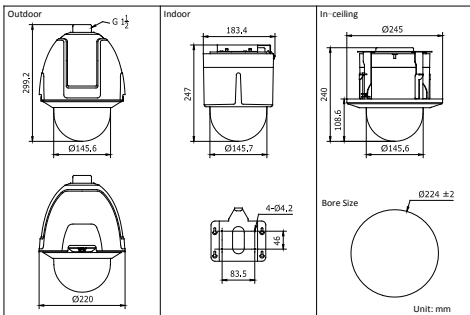
DS-2AF1-713-B IR WDR Analog High Speed Dome



Key features

- 1/4" Sony EXVIEW HAD progressive scan CCD
- 128x wide dynamic range
- 540TVL high resolution
- True day / night
- 80m IR range
- 3D digital noise reduction
- IP66 rating

Dimensions



Accessories



DS-1614ZJ
(Long-arm Wall Mount Bracket)

Specifications

DS-2AF1-713-B	
Camera	
Image sensor	1/4" SONY EXVIEW HAD progressive scan CCD
Effective pixel	PAL: 752 (H) × 582 (V), NTSC: 768 (H) × 494 (V)
Horizontal resolution	Color: 540 TVL, B/W: 570 TVL
Signal system	PAL / NTSC
Min. illumination	Color: 0.7 lux@F1.4, B/W: 0.01 lux@F1.4, 0 lux with IR
White balance	Auto / Manual / ATW / Indoor / Outdoor / Outdoor Auto / sodium lamp
AGC	Auto / manual
S/N ratio	≥ 50dB
NR	High / Medium / Low / off
BLC	On / off
WDR	128x(On / Off / Auto)
Shutter time	PAL: 1/3 ~ 1/10,000s, NTSC: 1/4 ~ 1/10,000s
Day & night	IR cut filter
Digital zoom	12x
Privacy mask	24 privacy masks programmable; a maximum of 8 zones can be masked simultaneously on the same video screen
Focus model	Auto / semi-automatic / manual
Lens	
Focal length	4.1 ~ 73.8mm, 18x
Zoom speed	Approx. 2.0s (optical Wide-Tele)
Angle of view	48 ~ 2.8° (Wide-Tele)
Min. working distance	290 ~ 800mm (Wide-Tele)
Aperture range	F1.4 ~ F3.0
Pan and tilt	
Pan range	360° endless
Pan speed	Pan manual speed: 0.1° ~ 160°/s, pan preset speed: 240°/s
Tilt range	-10° ~ 90° (auto flip)
Tilt speed	Tilt manual speed: 0.1° ~ 120°/s, tilt preset speed: 200°/s
Proportional zoom	Rotation speed can be adjusted automatically according to zoom multiples
Number of preset	256
Patrol	8 patrols, up to 32 presets per patrol
Pattern	4 patterns, with the total recording time not less than 10 min
Power loss recovery	Support
Park action	Preset / patrol / pattern / pan scan / tilt scan / random scan / frame scan / panorama scan
PTZ position display	On / off
Freeze frame	Support
Password protection	Support
Zone scanning / display	Scanning within programmed zone, display zone title
Camera title	Programmable title display
Compass	Support, the north can be set
Scheduled task	Preset / patrol / pattern / pan scan / tilt scan / random scan / frame scan / panorama scan
RS-485 communication diagnosis	Including failure information, e.g., wrong address, baud rate errors, et., displayed on the video screen in text
Manchester code communication diagnosis	Including failure information, e.g., wrong address, baud rate errors s displayed on the video screen in special characters
Infrared	
IR range	80m
IR irradiation angle	Adjustable by zoom
Alarm	
Alarm input	2 (7 alarm inputs optional)
Alarm output	2 relay outputs, alarm response actions configurable (additional wires required)
Alarm action	Preset / patrol / pattern / pan scan / tilt scan / random scan / frame scan / panorama scan / relay output
Input / output	
Monitor output	1.0V[p-p] / 75Ω, NTSC (or PAL) composite, BNC
Fiber interface (available for fiber dome only)	
Data mode	1-channel analog video and 1-channel reverse RS-485 data
Physical interface	FC (SC optional)
Fiber wavelength	TX1310 / RX1550nm
Fiber type	Single fiber / single mode
Transmission distance	20km, 40km / 60km / 80km optional
General	
Menu language	English, Chinese
RS-485 protocols	HIKVISION, Pelco-P, Pelco-D, self-adaptive
Power supply	24 VAC (12 VDC optional)
Power consumption	Max. 50 W
Working temperature / humidity	-30°C ~ 65°C (-22°F ~ 149°F), 90% or less
Protection level	IP66 standard, TVS 3,000V lightning protection, surge protection and voltage transient protection
Mounting	Various mounting modes optional
Dimensions	Φ 230.6 × 351.5mm (Φ 9.08" × 13.84")
Weight (approx.)	5.5kg (12.13lbs)