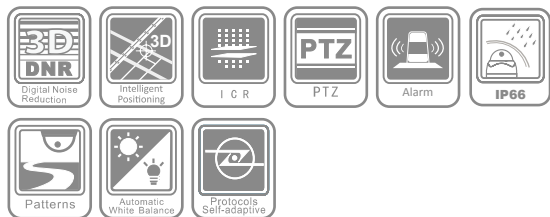


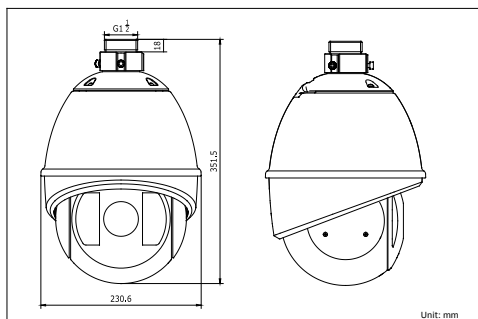
## DS-2AF1-71C/71D IR Analog High Speed Dome



### Key features

- Super low illumination
- 540 TVL high resolution
- True day / night
- 3D intelligent positioning function
- 3D digital noise reduction
- 80m IR range
- IP66 rating

### Dimensions



### Accessories



DS-1614ZJ  
(Long-arm Wall Mount Bracket)

### Specifications

|  | DS-2AF1-71C (Outdoor)   | DS-2AF1-71D (Outdoor)                                  |
|--|---|--|
| <b>Camera</b>  |   |  |
| Image sensor   | 1/4 inch solid state progressive scan CCD   | 1/3" solid state sony CCD                              |
| Effective pixel  | PAL:752(H)×582(V); NTSC:768(H)×494(V)   |  |
| Horizontal resolution                                  | Color: 540 TVL; B/W: 570 TVL  |  |
| Signal system  | PAL / NTSC  |  |
| Min.illumination                                       | Color: 0.1Lux/F1.4; B/W: 0.01Lux/F1.4, 0 Lux with IR  | Color: 0.025Lux/F1.6B/W: 0.0025Lux/F1.6, 0 Lux with IR |
| White balance  | Auto / Manual   |  |
| AGC  | Auto / Manual   |  |
| S/N ratio  | ≥ 50dB  |  |
| NR   | High / Medium / Low / off   |  |
| BLC  | On / Off  |  |
| WDR  | 128x( On / Off/Auto)  | --   |
| Anti-shake   | On / Off  | --   |
| Shutter time   | PAL: 1/3-1/10,000s, NTSC: 1/4-1/10,000s   |  |
| Day & night  | IR Cut Filter   |  |
| Digital zoom   | 12x   |  |
| Privacy mask   | 4 privacy masks programmable; a maximum of 4 zones can be masked simultaneously on the same video screen  |  |
| Focus model  | Auto / Semiautomatic / Manual   |  |
| <b>Lens</b>  |   |  |
| Focal length   | 3.4 - 119mm, 35X  | 4.7 - 84.6mm,18X                                       |
| Zoom speed   | Approx.4.6s (Optical Wide-Tele)   | Approx.3.5s (Optical Wide-Tele)                        |
| Angle of view  | 55.8 - 1.7°(Wide-Tele)  | 54.7 - 3.1°(Wide-Tele)                                 |
| Min. working distance                                  | 10 - 1000mm (Wide-Tele)   | 10 - 1,500mm(Wide-Tele)                                |
| Aperture range   | F1.4 - F4.2   | F1.6 - F2.8  |
| <b>Pan and tilt</b>                                    |   |  |
| Pan range  | 360° endless  |  |
| Pan speed  | Pan Manual Speed: 0.1°-160°/s, Pan Preset Speed: 240°/s   |  |
| Tilt range   | -10°-90° (Auto Flip )   |  |
| Tilt speed   | Tilt Manual Speed: 0.1°-120°/s, Tilt Preset Speed: 200°/s   |  |
| Proportional zoom                                      | Rotation speed can be adjusted automatically according to zoom multiples  |  |
| Number of preset                                       | 256   |  |
| Patrol   | 8 patrols, up to 32 presets per patrol  |  |
| Pattern  | 4 patterns, with the total recording time not less than 10 min  |  |
| Power loss recovery                                    | Support   |  |
| Park action  | Preset / patrol / pattern / pan scan / tilt scan / random scan / frame scan / panorama scan   |  |
| PTZ position display                                   | On / off  |  |
| Freeze frame   | Support   |  |
| Password protection                                    | Support   |  |
| Zone scanning / display                                | Scanning within programmed zone, display zone title   |  |
| Camera title   | Programmable title display  |  |
| Compass  | Support , the north can be set  |  |
| Scheduled task   | Preset / patrol / pattern / pan scan / tilt scan / random scan / frame scan / panorama scan   |  |
| RS-485 communication diagnosis                         | Including failure information, e.g., wrong address, baud rate errors, et., displayed on the video screen in text                                    |  |
| Manchester code communication diagnosis                | Including failure information, e.g., wrong address, baud rate errors s displayed on the video screen in special characters                          |  |
| <b>Infrared</b>  |   |  |
| IR range   | 80m   |  |
| IR irradiation angle                                   | Adjustable by zoom  |  |
| <b>Alarm</b>   |   |  |
| Alarm input  | 2 (7 alarm inputs optional)   |  |
| Alarm output   | 2 relay outputs, alarm response actions configurable  |  |
| Alarm action   | Preset / patrol / pattern / pan scan / tilt scan / random scan / frame scan / panorama scan / relay output  |  |
| <b>Input / output</b>                                  |   |  |
| Monitor output   | 1.0V[p-p] / 75Ω, NTSC (or PAL) composite, BNC   |  |
| <b>Fiber interface (available for fiber dome only)</b> |   |  |
| Data mode  | 1-channel analog video and 1-channel reverse RS-485 data  |  |
| Physical interface                                     | FC (SC optional)  |  |
| Fiber wavelength                                       | TX1310 / RX1550nm   |  |
| Fiber type   | Single fiber / single mode  |  |
| Transmission distance                                  | 20km, 40km / 60km / 80km optional   |  |
| <b>General</b>   |   |  |
| Menu language  | English, Chinese  |  |
| RS-485 protocols                                       | HIKVISION, Pelco-P, Pelco-D, self-adaptive  |  |
| Power supply   | 24 VAC (12 VDC optional)  |  |
| Power consumption                                      | Max.50 W  |  |
| Working temperature/humidity                           | -30°C ~ 65°C (-22°F ~ 149°F) (outdoor) / -10°C ~ 50°C (14°F ~ 122°F) (indoor), 90% or less  |  |
| Protection level                                       | IP66 standard (outdoor), TVS 3,000V lightning protection, surge protection and voltage transient protection   |  |
| Mounting   | Various mounting modes optional   |  |
| Dimensions   | Φ230.6 ×351.5mm (Φ9.08" ×13.84") (Outdoor)  |  |
| Weight (approx.)                                       | 5.5kg(12.13lbs)   |  |
| Mount Option   | Long-arm wall mount: DS-1614ZJ; Indoor short-arm wall mount: DS-1615ZJ<br>Corner mount: DS-1633ZJ; Pole Mount: DS-1622ZJ; Power box mount:DS-1634ZJ |  |