

DS-2CC102/112/192P(N)-IRA IR Bullet Camera



Specifications

	DS-2CC102P(N)-IRA	DS-2CC112P(N)-IRA	DS-2CC192P(N)-IRA
Camera			
Image sensor	1/3" Sony CCD		
Signal system	PAL / NTSC		
Effective pixels	PAL: 500 (H) × 582 (V) NTSC: 510 (H) × 492 (V)	PAL: 752 (H) × 582 (V) NTSC: 768 (H) × 494 (V)	PAL: 752 (H) × 582 (V) NTSC: 768 (H) × 494 (V)
Min. illumination	0.1 lux@F1.2, AGC on, 0 lux with IR 0.14 lux@F1.4, AGC on, 0 lux with IR		
Shutter time	PAL: 1/50s ~ 1/100,000s NTSC: 1/60s ~ 1/100,000s		
Lens	25 mm @F1.4 (16mm optional) Angle of view: 13.5° (25mm)		
Lens mount	CS mount		
Day & night	Electronic		
Horizontal resolution	420 TVL	480 TVL	540 TVL
Synchronization	Internal synchronization		
Video output	1Vp-p composite output (75Ω / BNC)		
S/N ratio	More than 48 dB		
BLC	On		
General			
Operating conditions	-10°C ~ 60°C (14°F ~ 140°F) Humidity 90% or less (non-condensing)		
Power supply	24 VAC ± 10%		
Power consumption	15W max.		
Weather-proof rating	IP66		
IR range	Approx. 100 ~ 110m		
Dimensions	116.8 × 97.3 × 255.1 mm (4.60" × 3.83" × 10.04")		
Weight	2500g (5.50 lbs)		

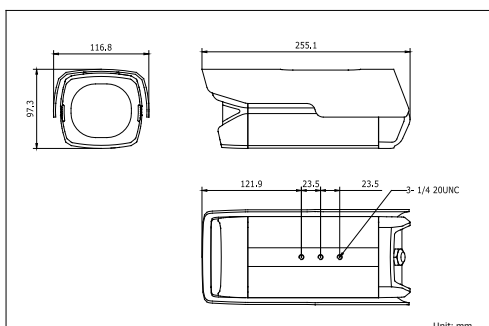
Available models

DS-2CC102P-IRA, DS-2CC102N-IRA, DS-2CC112P-IRA
DS-2CC112N-IRA, DS-2CC192P-IRA, DS-2CC192N-IRA

Key features

- Compact design
- 1/3" Sony CCD
- Low illumination
- Up to 110m IR range
- Auto white balance, auto gain control, electronic shutter control and backlight compensation
- Internal synchronization
- IP66 rating

Dimensions



Accessories



DS-121ZZJ-S
(Indoor wall mount)