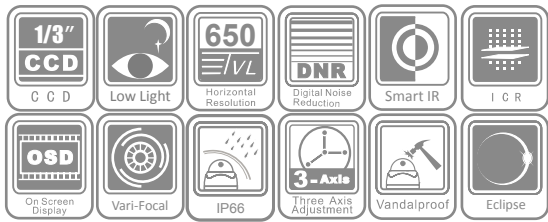


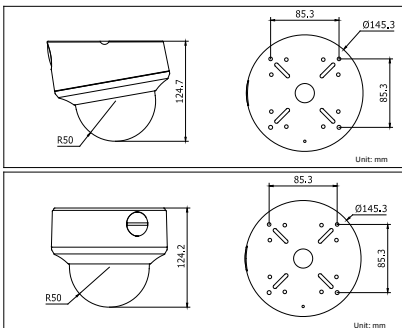
## DS-2CC5191/5195/5197P(N)-VPIR(H) 650TVL Vandal-proof Dome Camera



### Key features

- 1/3" Sony CCD
- 650 TVL high resolution
- Low illumination
- True day / night
- 3-axis adjustment
- IP66 rating

### Dimensions



### Accessories



### Specifications

	DS-2CC5191P(N)-VPIR(H)	DS-2CC5195P(N)-VPIR(H)	DS-2CC5197P(N)-VPIR(H)
<b>Camera</b>			
Image sensor	1/3" SONY EXView HAD CCD II	1/3" SONY EXView HAD CCD II	1/3" SONY Super HAD CCD II
Signal system	PAL / NTSC		
Effective pixels	PAL: 976 (H) × 582 (V), NTSC: 976 (H) × 494 (V)		
Min. illumination	0.001 Lux @ (F1.2, AGC ON), 0 Lux with IR 0.0014 Lux @ (F1.4, AGC ON), 0 Lux with IR	0.001 Lux @ (F1.2, AGC ON), 0.0001 Lux @ (F1.2, AGC ON, sensitivity × 512), 0 Lux with IR 0.0014 Lux @ (F1.4, AGC ON), 0.00014 Lux @ (F1.4, AGC ON, sensitivity × 512), 0 Lux with IR	0.001 Lux @ (F1.2, AGC ON), 0.0001 Lux @ (F1.2, AGC ON, sensitivity × 512), 0 Lux with IR 0.0014 Lux @ (F1.4, AGC ON), 0.00014 Lux @ (F1.4, AGC ON, sensitivity × 512), 0 Lux with IR
Shutter time	PAL: 1/50s ~ 1/100,000s, NTSC: 1/60s ~ 1/100,000s		
Lens	2.8 - 12 mm @ F1.4, Angle of view: 92° - 27.2°		
Lens mount	Φ14		
Auto iris	DC drive		
Angle adjustment	Pan: 0 - 355°, Tilt: 0 - 80°, Rotation: ± 90°		
Day & night	IR cut filter with auto switch		
Horizontal resolution	650 TVL (Color), 700 TVL (B/W)		
Wide Dynamic Range	Digital	Digital	75 dB
Synchronization	Internal / power synchronization		
Video output	1Vp-p composite output (75 Ω / BNC); Test monitor out [1Vp-p composite output (75 Ω / BNC), device line]		
S/N ratio	More than 62 dB		
<b>Menu</b>			
Camera ID	On / off (52 letters, position adjustable)	On / Off (16 letters, position adjustable)	On / Off (16 letters, position adjustable)
Auto Gain	--	Low / Middle / High / Off	Low / Middle / High / Off
D/N Mode	Auto / Day / Night / EXT1 / EXT2	Auto / Day / Night	Auto / Day / Night
White Balance	ATW / Push / User1 / User2 / ANTI CR / Manual / PUSH Lock	Auto trace WB1 / Auto trace WB2 / Manual / Auto Control	Auto trace WB1 / Auto trace WB2 / Manual / Auto Control
Private Mask	On / off, maximum 8 zones	On / Off, maximum 12 zones	On / Off, maximum 12 zones
Motion Detection	On / off		
BLC	Area / intensity / off		
WDR	--	--	Value / Contrast / Return
Anti-flicker	--	On / Off	On / Off
Language	English / Chinese		
Function	SMART IR, ATR, HLC, DNR, Sharpness, Brightness, Contrast, Hue, Gain, Mirror, Defect Pixel Correction	SMART IR, Digital Wide Dynamic Range, Eclipse, Digital Noise Reduction, Sharpness, Brightness, Saturation, Resolution, Electronic image stabilization, Digital Zoom, Mirror, Defect Pixel Correction	SMART IR, Eclipse, Digital Noise Reduction, Sharpness, Brightness, Saturation, Resolution, Electronic image stabilization, Digital Zoom, Mirror, Defect Pixel Correction
Scene	--	Indoor Standard, Indoor Backlight, Outdoor, Low illumination, IR Standard, Customize	Indoor Standard, Indoor Backlight, Outdoor, Low illumination, Customize
<b>General</b>			
Operating conditions	-10°C ~ 60°C (14°F ~ 140°F), Humidity 90% or less (non-condensing) -H: -40°C ~ 60°C (-40°F ~ 140°F) with heater and fan on		
Power supply	24 VAC ± 10%, 12 VDC ± 10%, -H: 24 VAC ± 10%		
Weather-proof rating	IP66		
Heater	-H: support		
IR range	Approx 20 to 30 meters		
Power consumption	Max. 13 W -H: Max. 25 W with heater and fan on		
Impact protection	IEC60068-2-75 test, Eh, 50J; EN50102, up to IK10.		
Dimensions	Φ 145.3 × 124.2 mm (Φ 5.72" × 4.89")		
Weight	2000 g (4.40 lbs)		

### Available models

DS-2CC5191P-VPIR, DS-2CC5191P-VPIRH, DS-2CC5191N-VPIR, DS-2CC5191N-VPIRH  
 DS-2CC5195P-VPIR, DS-2CC5195P-VPIRH, DS-2CC5195N-VPIR, DS-2CC5195N-VPIRH  
 DS-2CC5197P-VPIR, DS-2CC5197P-VPIRH, DS-2CC5197N-VPIR, DS-2CC5197N-VPIRH