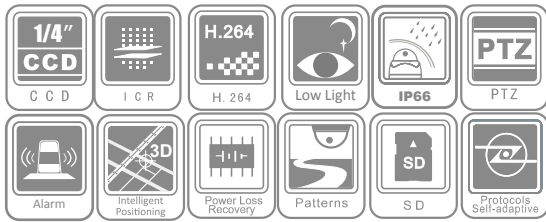


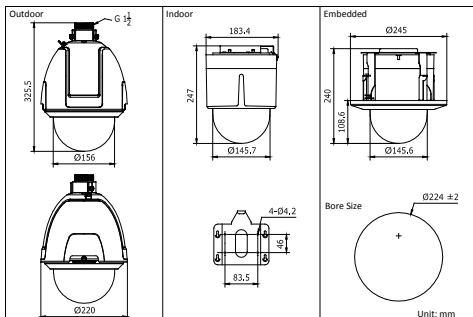
## DS-2DF1-512/514/516/518 Network High Speed Dome



### Key features

- 1/4" Sony Super HAD CCD
- True day / night
- H.264 video compression
- 3D intelligent positioning function
- Powerful PTZ control
- Programmable alarm triggering
- IP66 rating
- Up to 36x optical zoom

### Dimensions



### Accessories



DS-1614ZJ  
(Long-arm Wall Mount Bracket)

### Specifications

	DS-2DF1-512 (outdoor) DS-2DF1-502 (indoor) DS-2DF1-532 (in-ceiling)	DS-2DF1-514 (outdoor) DS-2DF1-504 (indoor) DS-2DF1-534 (in-ceiling)	DS-2DF1-516 (outdoor) DS-2DF1-506 (indoor) DS-2DF1-536 (in-ceiling)	DS-2DF1-518 (outdoor) DS-2DF1-508 (indoor) DS-2DF1-538 (in-ceiling)
<b>Camera</b>				
Image sensor	1/4" Sony Super HAD CCD			
Effective pixel	PAL: 752 (H) × 582 (V), NTSC: 768 (H) × 494 (V)			
Horizontal resolution	540 TVL		Color: 540 TVL, B/W: 570 TVL	
Signal system	PAL / NTSC			
Min. illumination	0.1Lux/F1.6	Color: 0.2 lux@F1.6, B/W: 0.02 lux@F1.6	Color: 0.2 lux@F1.4, B/W: 0.02 lux@F1.4	Color: 0.2 lux@F1.6, B/W: 0.02 lux@F1.6
White balance	Auto / manual / ATW / indoor / outdoor			
AGC	Auto / manual			
S/N ratio	≥ 50dB			
BLC	On / off			
Shutter time	PAL: 1/50 - 1/10,000s, NTSC: 1/60 - 1/10,000s	PAL: 1/50 - 1/10,000s, NTSC: 1/60 - 1/10,000s	PAL: 1 - 1/10,000s, NTSC: 1 - 1/10,000s	PAL: 1 - 1/10,000s, NTSC: 1 - 1/10,000s
Day & night	Electronic		IR cut filter	
Digital zoom	16x			
Privacy Mask	24 privacy masks programmable			
Focus model	Auto / semi-automatic / manual			
<b>Lens</b>				
Focal length	3.9 - 85.8mm, 22X	3.84 - 88.4 mm, 23x	3.5 - 105mm, 30x	3.4 - 122.4mm, 36x
Zoom speed	Approx.4.3s (Optical Wide-Tele)	Approx.5.1s (optical Wide-Tele)	Approx.5.4s (optical Wide-Tele)	Approx.5.4s (optical Wide-Tele)
Angle of view	58.0 - 2.22° (Wide-Tele)	52.2 - 2.36° (Wide-Tele)	56.4 - 2.0° (Wide-Tele)	57.8 - 1.7° (Wide-Tele)
Min. working distance	10 - 1,000mm (Wide-Tele)	10 - 1,200mm (Wide-Tele)	10 - 1,000mm (Wide-Tele)	10 - 1,000mm (Wide-Tele)
Aperture range	F1.6 - F3.7	F1.6 - F4.5	F1.4 - F3.7	F1.6 - F4.5
<b>Pan and tilt</b>				
Pan range	360° endless			
Pan speed	Pan manual speed: 0.1° - 300°/s, pan preset speed: 540°/s			
Tilt range	-5° - 90° (auto flip)	-5° - 90° (auto flip)	-5° - 185° (Auto Mirror)	-5° - 185° (Auto Mirror)
Tilt speed	Tilt manual speed: 0.1° - 240°/s, tilt preset speed: 400°/s			
Proportional zoom	Rotation speed can be adjusted automatically according to zoom multiples			
Number of preset	256			
Patrol	8 patrols, up to 32 presets per patrol			
Pattern	4 patterns, with the total recording time not less than 10 min			
Power loss recovery	Support			
Park action	Preset / patrol / pattern / pan scan / tilt scan / random scan / frame scan / panorama scan			
PTZ position display	On / off			
Freeze frame	—	—	Support	Support
<b>Alarm</b>				
Alarm input	2 (7 alarm inputs optional)			
Alarm output	2 relay outputs, alarm response actions configurable			
Alarm action	Preset / patrol / pattern / pan scan / tilt scan / random scan / frame scan / panorama scan / relay output			
<b>Input / output</b>				
Monitor output	1.0V[p-p] / 75Ω, NTSC (or PAL) composite, BNC			
Audio input	Audio input (LINE input), 2-2.4V[p-p]; output impedance: 1KΩ, ±10%			
Audio output	Line level, impedance: 600Ω			
<b>Network</b>				
Ethernet	10 base-T / 100 base-TX, RJ45 connector			
Max. image resolution	PAL: 704 × 576, NTSC: 704 × 480			
Frame rate	PAL: 25 fps (704 × 576), NTSC: 30 fps (704 × 480)			
Image compression	H.264 / MJPEG			
Audio compression	G.711 / 16kbps			
Protocols	TCP/IP, HTTP, DHCP, DNS, RTP/RTCP, RTSP, PPPoE, SMTP, NTP (FTP, SNMP optional)			
No. of simultaneous users	Up to 6 users			
Dual streams	Support			
Mini SD memory card	Manual REC / alarm REC. Built-in SD/SDHC slot, up to 32GB			
User / host level	3 levels: administrator, camera control, live view only			
Security measures	User authentication (ID and PW), host authentication (MAC address)			
<b>Client GUI</b>				
Camera control	Pan / tilt, zoom, focus, click centering, drag zoom, iris, preset position call and program, auto mode.			
Camera name	Up to 18 characters			
Date & time display	Time: week: date, 6 formats on the client			
Reading patrol message	Display and reading of preset message contained in each patrol via client software			
<b>Fiber interface (available for fiber dome only)</b>				
Data mode	10 base-T / 100 base-TX			
Physical interface	FC (SC optional)			
Fiber wavelength	TX1310 / RX1550nm			
Fiber type	Single fiber / single mode			
Transmission distance	20km, with 40km, 60km and 80km optional			
<b>General</b>				
Menu language	English			
RS-485 protocols	HIKVISION, Pelco-P, Pelco-D, self-adaptive			
Power supply	24 VAC (12 VDC optional)			
Power consumption	Outdoor dome: Max.45 W ; Indoor/In-ceiling dome: Max.20 W			
Working temperature / humidity	-30°C - 65°C (-22°F - 149°F) (outdoor) / -10°C - 50°C (14°F - 122°F) (indoor), 90% or less			
Protection level	IP66 standard (outdoor), TVS 3,000V lightning protection, surge protection and voltage transient protection			
Mounting	Various mounting modes optional			
Dimensions	Φ 220 × 325.5mm (Φ 8.66" × 12.81") (outdoor), Φ 183.4 × 247mm (Φ 7.22" × 9.72") (indoor) Φ 245 × 240mm (Φ 9.65" × 9.45") (in-ceiling)			
Weight (approx.)	5kg (11.02lbs)			