

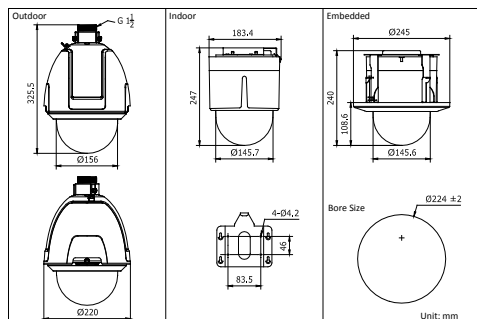
## DS-2DF1-513/515/517-B WDR Network High Speed Dome



### Key features

- 1/4" SONY EXVIEW HAD progressive scan CCD
- True day / night
- 128x wide dynamic range
- 3D intelligent positioning function
- 3D digital noise reduction
- Programmable alarm triggering
- IP66 rating

### Dimensions



### Accessories



DS-1614ZJ  
(Long-arm Wall Mount Bracket)

### Specifications

	DS-2DF1-513-B(Outdoor) DS-2DF1-503-B (Indoor) DS-2DF1-533-B (In-ceiling)	DS-2DF1-515-B (Outdoor) DS-2DF1-505-B (Indoor) DS-2DF1-535-B (In-ceiling)	DS-2DF1-517-B(Outdoor) DS-2DF1-507-B(Indoor) DS-2DF1-537-B(In-ceiling)
<b>Camera</b>			
Image sensor	1/4" SONY EXVIEW HAD progressive scan CCD		
Effective pixel	PAL:752(H)×582(V), NTSC:768(H)×494(V)		
Horizontal resolution	Color: 540 TVL, B/W: 570 TVL		
Signal system	PAL / NTSC		
Min. illumination	Color: 0.7Lux/F1.4, B/W: 0.01Lux/F1.4	Color: 0.65 lux@F1.35, B/W: 0.005 lux@F1.35	Color: 1.4 lux@F1.6, B/W: 0.01 lux@F1.6
White balance	Auto / Manual / ATW / Indoor / Outdoor / Outdoor Auto / sodium lamp		
AGC	Auto / manual		
S/N ratio	≥ 50dB		
BLC	On / off		
WDR	128x (on / off / auto)		
Anti-shake	--	On / off	
Shutter time	PAL: 1/3 - 1/10,000s, NTSC: 1/4 - 1/10,000s		
Day & night	IR cut filter		
Digital zoom	12x		
Privacy mask	24 privacy masks programmable		
Focus model	Auto / semi-automatic / manual		
<b>Lens</b>			
Focal length	4.1-73.8mm, 18X	3.5-98mm,28X	3.4-122.4mm,36X
Zoom speed	Approx.2.0s(Optical Wide-Tele)	Approx.1.7s(Optical Wide-Tele)	Approx.2.7s(Optical Wide-Tele)
Angle of view	48-2.8° (Wide-Tele)	55.8-2.1° (Wide-Tele)	57.8-1.7° (Wide-Tele)
Min. working distance	290-800mm (Wide-Tele)	10-1,500mm(Wide-Tele)	320-1,500mm(Wide-Tele)
Aperture range	F1.4 - F3.0	F1.35 - F3.7	F1.6 - F4.5
<b>Pan and tilt</b>			
Pan Range	360°endless		
Pan Speed	Pan Manual Speed: 0.1° -300°/s, Pan Preset Speed: 540°/s		
Tilt Range	-5°-185°(Auto Mirror)		
Tilt Speed	Tilt Manual Speed: 0.1°-240°/s, Tilt Preset Speed: 400°/s		
Proportional Zoom	Rotation speed can be adjusted automatically according to zoom multiples		
Number of Preset	256		
Patrol	8 patrols, up to 32 presets per patrol		
Pattern	4 patterns, with the total recording time not less than 10 min		
Power-off Memory	Support		
Park Action	Preset / Patrol / Pattern / Pan scan / Tilt scan / Random scan / Frame scan / Panorama scan		
PTZ Position Display	On / Off		
Freeze Frame	Support		
<b>Alarm</b>			
Alarm input	2 (7 alarm inputs optional)		
Alarm output	2 relay outputs, alarm response actions configurable		
Alarm action	Preset / Patrol / Pattern / Pan scan / Tilt scan / Random scan / Frame scan / Panorama scan / Relay output		
<b>Input / output</b>			
Monitor output	1.0V[p-p] / 75Ω, NTSC (or PAL) composite, BNC		
Audio input	Audio input (LINE input), 2-2.4V[p-p]; output impedance: 1KΩ, ±10%		
Audio output	Line level, impedance: 600Ω		
<b>Network</b>			
Ethernet	10Base-T / 100Base-TX, RJ45 connector		
Max. image resolution	PAL:704×576, NTSC:704×480		
Frame rate	PAL :25 fps (704×576), NTSC: 30 fps (704×480)		
Image compression	H.264/MJPEG		
Audio compression	G.711 / 16kbps		
Protocols	TCP/IP, HTTP, DHCP, DNS, RTP/RTCP, RTSP, PPPoE, SMTP, NTP (FTP, SNMP optional)		
No. of simultaneous users	Up to 6 users		
Dual streams	Support		
Mini SD memory card	Manual REC / Alarm REC., Built-in SD/SDHC Slot, up to 32GB		
User/Host level	3 Levels: Administrator, Camera control, Live view only		
Security measures	User authentication (ID and PW), Host authentication (MAC address)		
<b>Client GUI</b>			
Camera control	Pan / Tilt, Zoom, Focus, Click centering, Drag zoom, Iris, Preset position call and program, Auto mode.		
Camera name	Up to 18 characters		
Date & time display	Time: Week: Date, 6 formats on the Client		
Reading patrol message	Display and reading of preset message contained in each patrol via client software		
<b>Fiber interface (available for fiber dome only)</b>			
Data mode	10 Base-T / 100 Base-TX		
Physical interface	FC(SC optional)		
Fiber wavelength	TX1310/RX1550nm		
Fiber type	Single Fiber/Singlemode		
Transmission distance	20Km, 40Km / 60Km/ 80Km optional		
<b>General</b>			
Menu Language	English, Chinese		
RS-485 Protocols(optional)	HIKVISION, Pelco-P, Pelco-D, self-adaptive		
Power Supply	24VAC (12V DC optional)		
Power Consumption	Outdoor dome: Max.45 W ; Indoor/In-ceiling dome: Max.20 W		
Working Temperature / Humidity	-30°C-65°C(-22°F-149°F)(outdoor dome) / -10°C-50°C(14°F-122°F)(indoor dome), 90% or less		
Protection Level	IP66 standard (outdoor dome), TVS 3,000V lightning protection, surge protection and voltage transient protection		
Mounting	Various mounting modes optional		
Dimension	Φ 220 × 325.5mm (Φ 8.66" × 12.81") (outdoor), Φ 183.4 × 247mm (Φ 7.22" × 9.72") (indoor) Φ 245 × 240mm (Φ 9.65" × 9.45") (in-ceiling)		
Weight (approx.)	5kg (11.02lbs)		