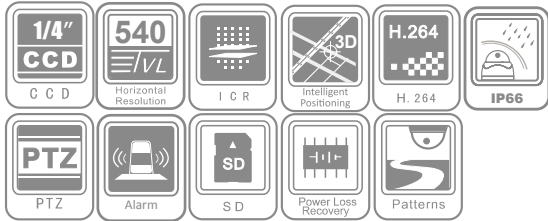


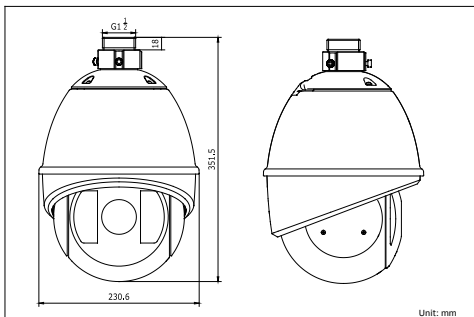
DS-2DF1-714/716/718 IR Network High Speed Dome



Key features

- 1/4" Sony Super HAD CCD
- True day / night
- 80m IR range
- 3D intelligent positioning function
- IP66 rating
- 23x/30x/36x optical zoom

Dimensions



Accessories



DS-1614ZJ
(Long-arm Wall Mount Bracket)

Specifications

	DS-2DF1-714 (outdoor)	DS-2DF1-716 (outdoor)	DS-2DF1-718 (outdoor)
Camera			
Image sensor	1/4" Sony Super HAD CCD		
Effective pixel	PAL: 752 (H) × 582 (V), NTSC: 768 (H) × 494 (V)		
Horizontal resolution	Color: 540 TVL, B/W: 570 TVL		
Signal system	PAL / NTSC		
Min. illumination	Color: 0.2 lux@F1.6, B/W: 0.02 lux@F1.6, 0 lux with IR	Color: 0.2Lux/F1.4, B/W:0.02Lux/F1.4, 0 Lux with IR	Color: 0.2Lux/F1.6, B/W:0.02Lux/F1.6, 0 Lux with IR
White balance	Auto / manual / ATW / indoor / outdoor		
AGC	Auto / manual		
S / N ratio	≥ 50dB		
BLC	On / off		
Shutter time	PAL: 1/50 ~ 1/10,000s, NTSC: 1/60 ~ 1/10,000s	PAL:1-1/10,000s NTSC:1-1/10,000s	PAL:1-1/10,000s NTSC:1-1/10,000s
Day & night	IR cut filter		
Digital zoom	16x		
Privacy mask	24 privacy masks programmable		
Focus model	Auto / semi-automatic / manual		
Lens			
Focal length	3.84 ~ 88.4mm, 23x	3.5 ~ 105mm, 30X	3.4 ~ 122.4mm, 36X
Zoom speed	Approx.5.1s (optical Wide-Tele)	Approx.5.4s (Optical Wide-Tele)	Approx.5.4s (Optical Wide-Tele)
Angle of view	52.2 ~ 2.36° (Wide-Tele)	56.4 ~ 2.0° (Wide-Tele)	57.8 ~ 1.7° (Wide-Tele)
Min. working distance	10 ~ 1,200mm (Wide-Tele)	10 ~ 1,000mm(Wide-Tele)	10 ~ 1,000mm(Wide-Tele)
Aperture range	F1.6 ~ F4.5	F1.4 ~ F3.7	F1.6 ~ F4.5
Pan and tilt			
Pan range	360° endless		
Pan speed	Pan manual speed: 0.1° ~ 160°/s, pan preset speed: 240°/s		
Tilt range	-10° ~ 90° (auto flip)		
Tilt speed	Tilt manual speed: 0.1° ~ 120°/s, tilt preset speed: 200°/s		
Proportional zoom	Rotation speed can be adjusted automatically according to zoom multiples		
Number of preset	256		
Patrol	8 patrols, up to 32 presets per patrol		
Pattern	4 patterns, with the recording time not less than 10 min per pattern		
Power-off memory	Support		
Park action	Preset / patrol / pattern / pan scan / tilt scan / random scan / frame scan / panorama scan		
PTZ position display	On / Off		
Infrared			
IR irradiation distance	80m		
IR irradiation angle	Adjustable by zoom		
Alarm			
Alarm input	2 (7 alarm inputs optional)		
Alarm output	2 relay outputs, alarm response actions configurable		
Alarm action	Preset, patrol, pattern, SD/SDHC card recording, relay output, notification on client		
Input / output			
Monitor output	1.0V[p-p] / 75Ω, NTSC (or PAL) composite, BNC		
Audio input	Audio input (LINE input), 2-2.4V[p-p]; output impedance: 1KΩ, ±10%		
Audio output	Line level, impedance: 600Ω		
Network			
Ethernet	10 base-T / 100 base-TX, RJ45 connector		
Max. image resolution	PAL:704 × 576, NTSC:704 × 480		
Frame rate	PAL: 25 fps (704 × 576), NTSC: 30 fps (704 × 480)		
Image compression	H.264		
Audio compression	G.711 / 16 kbps		
Protocols	TCP/IP, HTTP, DHCP, DNS, RTP/RTCP, RTSP, PPPoE, SMTP, NTP (FTP, SNMP optional)		
No. of simultaneous users	Up to 6 users		
Dual streams	Support		
Mini SD memory card	Manual REC / alarm REC. Built-in SD/SDHC slot, up to 32GB		
User/Host level	3 levels: administrator, camera control, live view only		
Security measures	User authentication (ID and PW), host authentication (MAC address)		
Client GUI			
Camera control	Pan / tilt, zoom, focus, click centering, drag zoom, iris, preset position call and program, auto mode.		
Camera name	Up to 18 characters		
Date & Time display	Time: week: date, 6 formats on the client		
Reading patrol message	Display and reading of preset message contained in each patrol via client software		
Fiber interface (available for fiber dome only)			
Data mode	10 base-T / 100 base-TX		
Physical interface	FC (SC optional)		
Fiber wavelength	TX1310 / RX1550nm		
Fiber type	Single fiber / single mode		
Transmission distance	20km, with 40km, 60km and 80km optional		
General			
Menu language	English, Chinese		
RS-485 protocols	HIKVISION, Pelco-P, Pelco-D, self-adaptive		
Power supply	24V AC (12V DC optional)		
Power consumption	Max.50 W		
Working temperature / humidity	-30 °C ~ 65 °C (-22 °F ~ 149 °F), 90% or less		
Protection level	IP66 standard, TVS 3,000V lightning protection, surge protection and voltage transient protection		
Mounting	Various mounting modes optional		
Dimensions	Φ230.6 × 351.5mm (Φ9.08" × 13.84")		
Weight (approx.)	5.5kg (12.13lbs)		