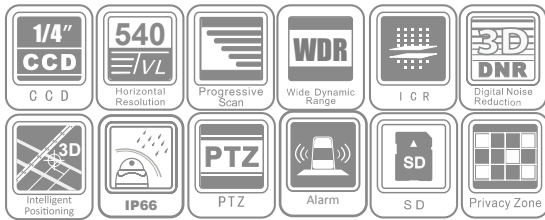


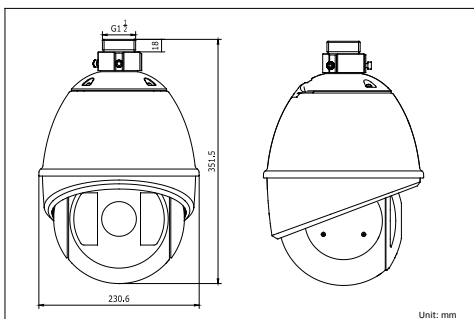
## DS-2DF1-715/717-B IR WDR Network High Speed Dome



### Key features

- 1/4" Sony EXVIEW HAD progressive scan CCD
- 128x wide dynamic range
- True day / night
- 80m IR range
- 3D intelligent positioning function
- 3D digital noise reduction
- IP66 rating

### Dimensions



### Accessories



DS-1614ZJ  
(Long-arm Wall Mount Bracket)

### Specifications

	DS-2DF1-715-B (outdoor)	DS-2DF1-717-B (outdoor)
<b>Camera</b>		
Image sensor	1/4" Sony EXVIEW HAD progressive scan CCD	1/4" SONY EXVIEW HAD progressive scan CCD
Effective pixel	PAL: 752 (H) × 582 (V), NTSC: 768 (H) × 494 (V)	
Horizontal resolution	Color: 540 TVL, B/W: 570 TVL	
Signal system	PAL / NTSC	
Min. illumination	Color: 0.65Lux/F1.35, B/W: 0.005Lux/F1.35, 0 Lux with IR	Color: 1.4Lux/F1.6, B/W: 0.01Lux/F1.6, 0 Lux with IR
White balance	Auto / Manual / ATW / Indoor / Outdoor / Outdoor Auto / sodium lamp	
AGC	Auto / manual	
S / N ratio	≥ 50dB	
BLC	On / Off	
WDR	128x (on / off / auto)	
Anti-shake	On / off	
Shutter time	PAL: 1/3 ~ 1/10,000s, NTSC: 1/4 ~ 1/10,000s	
Day & night	IR cut filter	
Digital zoom	12x	
Privacy mask	24 privacy masks programmable	
Focus model	Auto / semi-automatic / manual	
<b>Lens</b>		
Focal length	3.5 - 98mm, 28x	3.4 - 122.4mm, 36X
Zoom speed	Approx.1.7s (optical Wide-Tele)	Approx.2.7s (Optical Wide-Tele)
Angle of view	55.8 ~ 2.1° (Wide-Tele)	57.8 ~ 1.7° (Wide-Tele)
Min. working distance	10 ~ 1,500mm (Wide-Tele)	320 ~ 1,500mm(Wide-Tele)
Aperture range	F1.35 ~ F3.7	F1.6 ~ F4.5
<b>Pan and tilt</b>		
Pan range	360° endless	
Pan speed	Pan manual speed: 0.1° ~ 160°/s, pan preset speed: 240°/s	
Tilt range	-10° ~ 90° (auto flip)	
Tilt speed	Tilt manual speed: 0.1° ~ 120°/s, tilt preset speed: 200°/s	
Proportional zoom	Rotation speed can be adjusted automatically according to zoom multiples	
Number of preset	256	
Patrol	8 patrols, up to 32 presets per patrol	
Pattern	4 patterns, with the recording time not less than 10 min per pattern	
Power-off memory	Support	
Park action	Preset / patrol / pattern / pan scan / tilt scan / random scan / frame scan / panorama scan	
PTZ position display	On / off	
Freeze frame	Support	
<b>Infrared</b>		
IR irradiation distance	80m	
IR irradiation angle	Adjustable by zoom	
<b>Alarm</b>		
Alarm input	2 (7 alarm inputs optional)	
Alarm output	2 relay outputs, alarm response actions configurable	
Alarm action	Preset, patrol, pattern, SD/SDHC card recording, relay output, notification on client	
<b>Input/ Output</b>		
Monitor output	1.0V[p-p] / 75Ω, NTSC (or PAL) composite, BNC	
Audio input	Audio input (LINE input), 2-2.4V[p-p]; output impedance: 1KΩ, ±10%	
Audio output	Line level, impedance: 600Ω	
<b>Network</b>		
Ethernet	10 base-T / 100 base-TX	
Max. image resolution	PAL: 704 × 576, NTSC: 704 × 480	
Frame rate	PAL: 25fps (704 × 576), NTSC: 30fps (704 × 480)	
Image compression	H.264	
Audio compression	G.711 / 16kbps	
Protocols	TCP/IP, HTTP, DHCP, DNS, RTP/RTCP, RTSP, PPPoE, SMTP, NTP (FTP, SNMP optional)	
No. of simultaneous users	Up to 6 users	
Dual streams	Support	
Mini SD memory card	Manual REC / alarm REC. Built-in SD/SDHC slot, up to 32GB	
User / Host level	3 levels: administrator, camera control, live view only	
Security measures	User authentication (ID and PW), host authentication (MAC address)	
<b>Client GUI</b>		
Camera control	Pan / tilt, zoom, focus, click centering, drag zoom, iris, preset position call and program, auto mode.	
Camera name	Up to 18 characters	
Date & time display	Time: week: date, 6 formats on the client	
Reading patrol message	Display and reading of preset message contained in each patrol via client software	
<b>Fiber interface (available for fiber dome only)</b>		
Data mode	10 base-T / 100 base-TX	
Physical interface	FC (SC optional)	
Fiber wavelength	TX1310 / RX1550nm	
Fiber type	Single fiber / single mode	
Transmission distance	20km, with 40km, 60km and 80km optional	
<b>General</b>		
Menu language	English, Chinese	
RS-485 protocols	HIKVISION, Pelco-P, Pelco-D, self-adaptive	
Power supply	24 VAC (12 VDC optional)	
Power consumption	Max.50 W	
Working temperature / humidity	-30 °C ~ 65 °C (-22 °F ~ 149 °F), 90% or less	
Protection level	IP66 standard, TVS 3,000V lightning protection, surge protection and voltage transient protection	
Mounting	Various mounting modes optional	
Dimensions	Φ 230.6 × 351.5mm (Φ 9.08" × 13.84")	
Weight (approx.)	5.5kg (12.13lbs)	