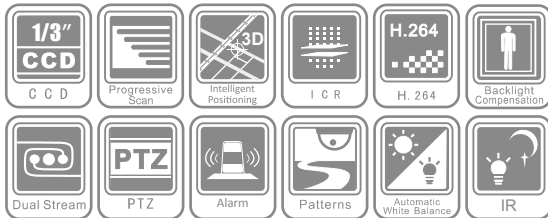


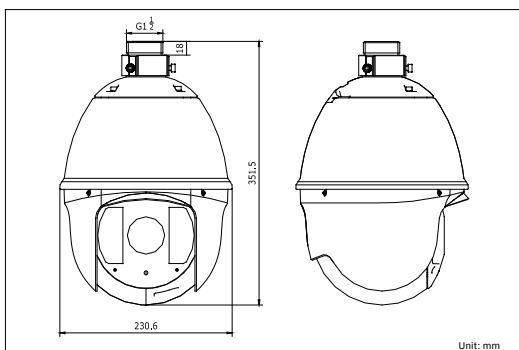
DS-2DF1-772 1.3MP IR Network Speed Dome



Key features

- 1/3" Sony Progressive Scan CCD
- 18X Optical Zoom, 12X Digital Zoom
- True Day/Night
- 25fps at HD720p resolution
- H.264/MJPEG, Dual Streaming, Privacy Mask
- 100m IR Distance
- Weather-proof: IP66 rating

Dimensions



Accessories



DS-1614ZJ
Long-arm Wall Mount Bracket



DS-1633ZJ
Corner Mount Bracket



DS-1658ZJ
Pendant Mount Bracket

Specifications

DS-2DF1-772(Outdoor)	
Camera	
Image Sensor	1/3" Sony Progressive Scan CCD
Effective Pixel	1320K pixels
Min.Illumination	Color: 0.5Lux@F1.6, B/W: 0.02Lux@F1.6, 0 Lux with IR
White Balance	Auto / Manual / One touch WB/ATW
AGC	Auto / Manual
S / N Ratio	≥ 50dB
DNR	--
BLC	On / Off
WDR	--
Shutter Time	1/25-1/10,000s
Day & Night	IR Cut Filter
Digital Zoom	12x
Privacy Mask	24 privacy masks programmable
Focus Model	Auto / Semiautomatic / Manual
Lens	
Focal Length	4.7-84.6mm, 18x
Zoom Speed	Approx.5s (Optical Wide-Tele)
Angle of View	55.2-3.2 degree (Wide-Tele)
Min. Working Distance	10-1,500mm(Wide-Tele)
Aperture Range	F1.6 - F2.8
Pan and Tilt	
Pan Range	360° endless
Pan Speed	Pan Manual Speed: 0.1° ~ 160°/s, Pan Preset Speed: 240°/s
Tilt Range	-10° ~ 90° (Auto Flip)
Tilt Speed	Tilt Manual Speed: 0.1° ~ 120°/s, Tilt Preset Speed: 200°/s
Proportional Zoom	Rotation speed can be adjusted automatically according to zoom multiples
Number of Preset	256
Patrol	8 patrols, up to 32 presets per patrol
Pattern	4 patterns, with the total recording time not less than 10 min.
Power-off Memory	Support
Park Action	Preset / Patrol / Pattern / Pan scan / Tilt scan / Random scan / Frame scan / Panorama scan
PTZ Position Display	On / Off
Freeze Frame	Support
Infrared	
IR irradiation distance	100m
IR irradiation angle	Adjustable by zoom
Alarm	
Alarm Input	2 (7 alarm inputs optional)
Alarm Output	2 relay outputs, alarm response actions configurable
Alarm Action	Preset, Patrol, Pattern, SD/SDHC card recording, Relay output, Notification on Client
Output / Input	
Monitor Output	1.0V[p-p] / 75Ω, NTSC (or PAL) composite, BNC
Audio Input	Audio input (LINE input), 2-2.4V[p-p]; output impedance: 1KΩ, ±10%
Audio Output	Line level, impedance: 600Ω
Network	
Ethernet	10Base-T / 100Base-TX, RJ45 connector
Max.Image Resolution	1280×720
Frame Rate	50Hz : 25 fps (1280×720)
Image Compression	H.264
Audio Compression	G.711 / 16kbps
Protocols	TCP/IP, HTTP, DHCP, DNS, RTP/RTCP, RTSP, PPPoE, SMTP, NTP(FTP, SNMP optional)
No. of Simultaneous Users	Up to 6 users
Dual Streams	Support
Mini SD Memory Card	Manual REC / Alarm REC.; Built-in SD/SDHC Slot, up to 32GB
User/Host Level	3 Levels: Administrator, Camera control, Live view only
Security Measures	User authentication (ID and PW), Host authentication (MAC address)
Client GUI	
Camera Control	Pan / Tilt, Zoom, Focus, Click centering, Drag zoom, Iris, Preset position call and program, Auto mode.
Camera Name	Up to 18 characters
Date & Time Display	Time: Week: Date, 6 formats on the Client
Reading Patrol Message	Display and reading of preset message contained in each patrol via client software
Fiber Interface (available for fiber dome only)	
Data Mode	10Base-T / 100Base-TX
Physical Interface	FC(SC optional)
Fiber Wavelength	TX1310/RX1550nm
Fiber Type	Single Fiber/Singlemode
Transmission Distance FC(SC optional)	20Km, with 40Km, 60Km and 80Km optional
General	
Menu Language	English, Chinese
RS-485 Protocols	HIKVISION, Pelco-P, Pelco-D, self-adaptive
Power Supply	24VAC (12V DC optional)
Power Consumption	Max.50 W(Max.15 W with IR Lamp on,Max.5 W with heater on)
Working Temperature / Humidity	-30°C-65°C(-22°F-149°F)(outdoor), 90% or less
Protection Level	IP66 standard (outdoor dome), TVS 3,000V lightning protection, surge protection and voltage transient protection
Dimension	Φ230.6 ×351.5mm (Φ9.08" ×13.84") (Outdoor)
Weight (approx.)	5.5kg(12.13lbs)