

Fashion Speaker

CI-40/40T/60/60T(B/W)



Features

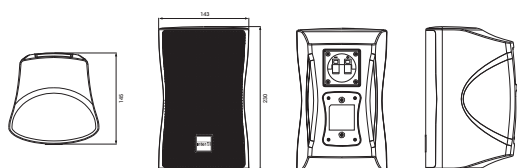
- Optimized sound quality for music playback & amp voice intelligibility
- Elegant stylish design
- Corrosion-resistant powder-coated grill
- Driver protection circuitry
- 4" full-range drivers
- 90 degree conical dispersion pattern
- High sensitivity 87dB / 88dB SPL
- Compact vented enclosure
- Driver and input protection circuit
- High quality transformer 70 / 100V (40T / 60T)
- Rotatable logo plate
- Spring terminal for easy installation
- High strength articulated installation bracket
- Safety Wire for additional installation safety

Spec	CI-40	CI-40T	CI-60	CI-60T
Rated Power	40W(PGM), 20W(RMS)		60W(PGM), 30W(RMS)	
Frequency Response(-10dB)	55Hz to 15kHz(2x)		55Hz to 22kHz(2x)	
Impedance	8Ω	500Ω	8Ω	333Ω
SPL (1W/m)	87dB		88dB	
Weight	1.3kg / 2.8lb	1.8kg / 4lb	1.3kg / 2.8lb	1.8kg / 4lb
Dimensions(W×H×D)	143 × 230 × 145mm / 5.6 × 9 × 5.7in			



* Including FSB-3(B/W) speaker bracket

Dimensions



Fashion Speaker

FS-30N/60N/100N/52N(I/B)



Features

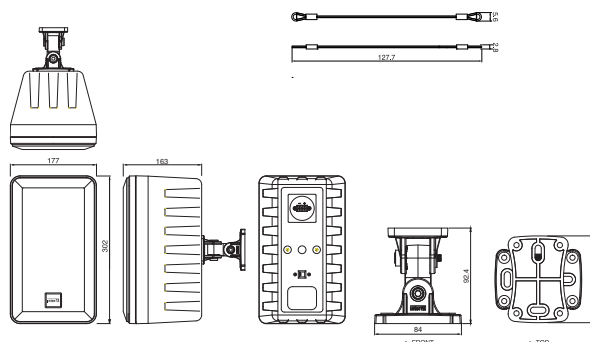
- Optimized sound quality for music playback & voice intelligibility
- Full-range two-way speaker system for high efficiency PA system performance
- Switch for connection to low impedance (8Ω) or high impedance (100V) system
- High strength articulated installation bracket
- Screw terminal for easy installation and certain connection
- Compatible with Optional FSB-3 Bracket
- Safety Wire for additional installation safety

Spec	FS-30N	FS-52N	FS-60N	FS-100N
Frequency Response	30W	50W	60W	100W
Transducers	FULL RANGES 1 1/4" × 2	2Way 1" DOME + 5 1/4" woofer	FULL RANGE 5 1/4" × 2	FULL RANGE 5 1/4" × 2
Frequency Response	100Hz-12kHz	55Hz-20kHz	100Hz-12kHz	100Hz-12kHz
Impedance	8Ω / 330Ω	8Ω / 200Ω	8Ω / 167Ω	8Ω / 100Ω
SPL (1W/m)	89dB	86dB	89dB	89dB
Weight	3kg / 6.6lb	3kg / 6.6lb	3.3kg / 7.3lb	3.8kg / 8.4lb
Dimensions (W×H×D)	177 × 302 × 163mm / 7 × 11.8 × 6.7in			



* Excluding speaker bracket, Compatible with optional FSB-3(B/W) bracket

Dimensions



Fashion Speaker

GS-50NB/50NW



Features

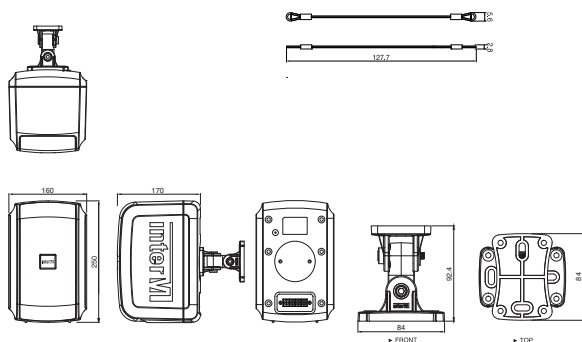
- 2 Way passive fashion speaker
- 120mm (5") free-edge type Woofer
- 11.5mm (0.45") dome type Tweeter
- Versatile and Unobtrusive Speaker Designed for a Variety of Applications
- High impedance, low impedance combined circuit (Terminal apply separately)
- Updated water protection circuit is applied using a high-performance network
- Compatible with Optional FSB-3 Bracket
- Safety Wire for additional installation safety

Spec	GS-50NB	GS-50NW
Color	Black	White
Rated Power	20W	
Driver	LF DRIVER 2 1/4", HF DRIVER 5"	
Frequency Response	110Hz-20kHz	
Impedance	4Ω/500Ω	
SPL (1W/m)	85dB	
Weight	3.1kg / 6.8lb	
Dimensions (W×H×D)	160 × 250 × 170mm / 6.3 × 9.8 × 6.7in	



* Excluding speaker bracket, Compatible with optional FSB-3(B/W) bracket

Dimensions



NOTE

